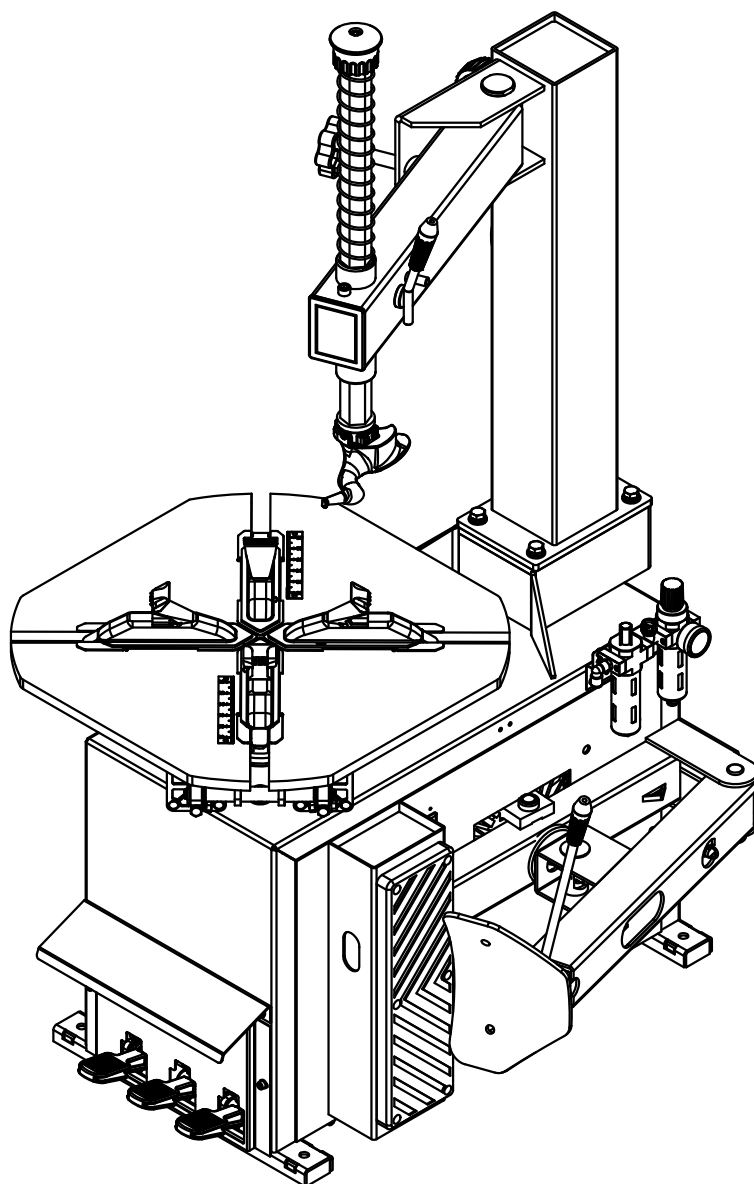
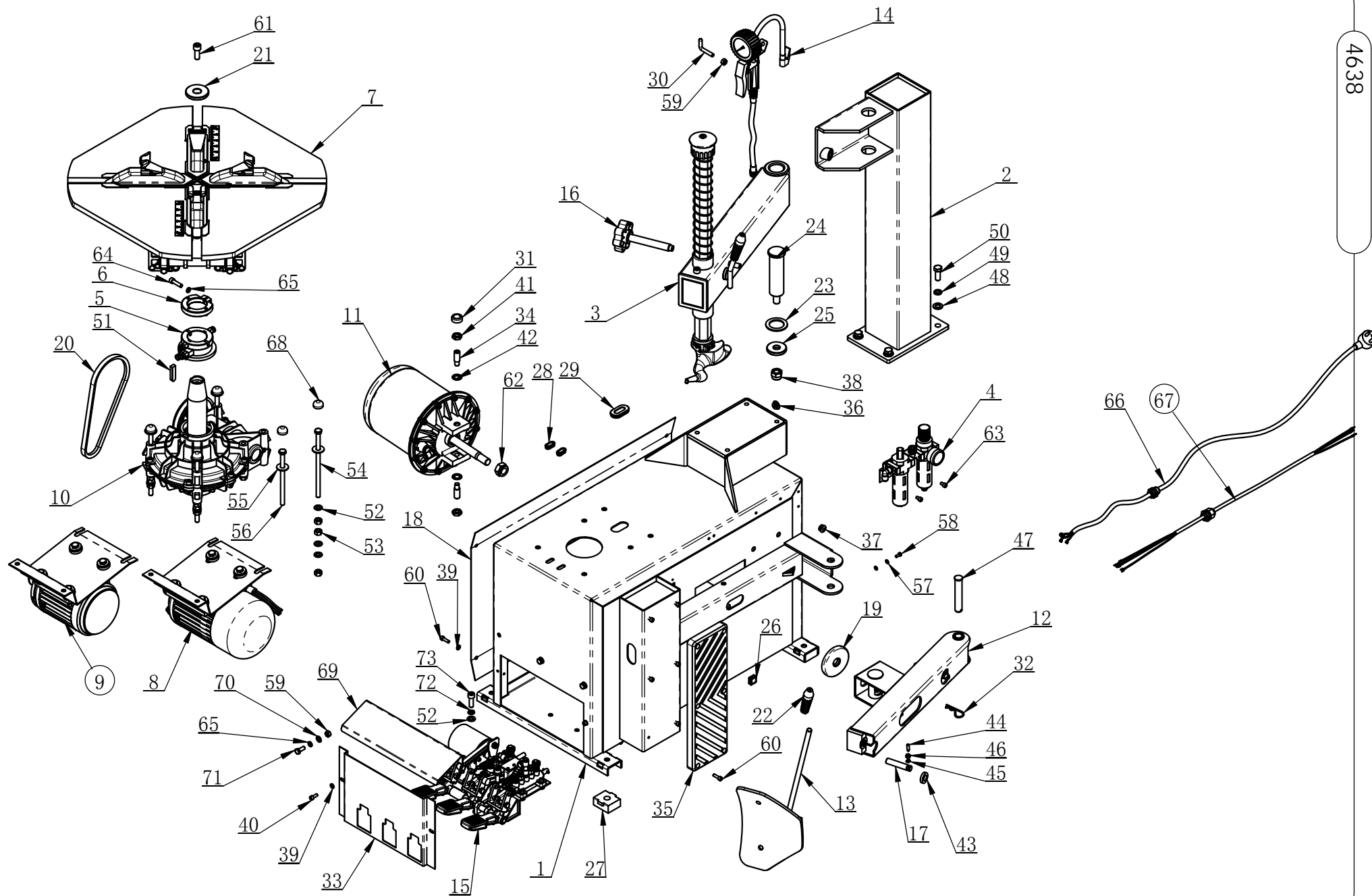


Деталировка Шиномонтажный станок 4638

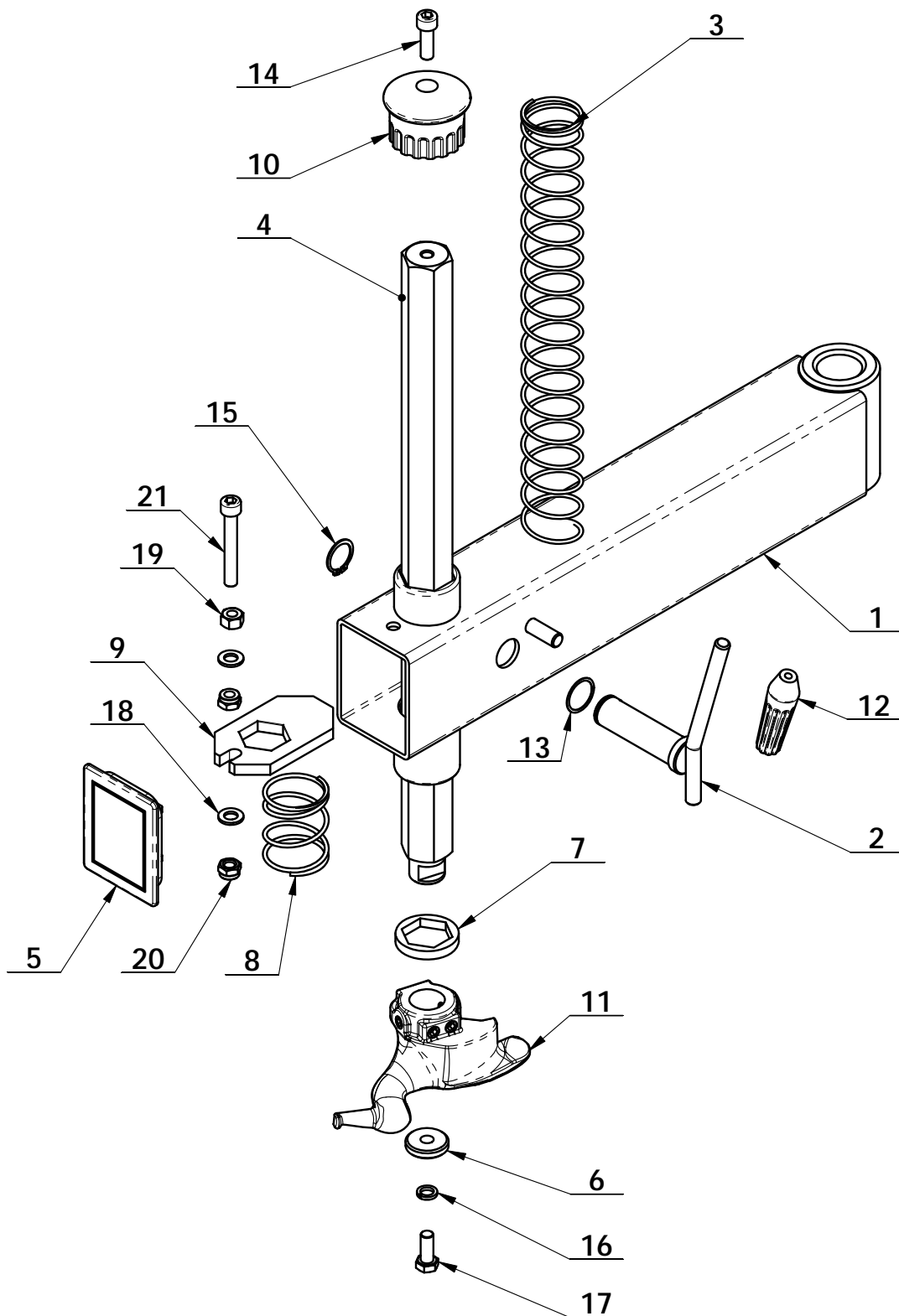




ITEM	PART. No	DESCRIPTION.	QT. Y
1	C-14-1100000A	BODY	1
2	C-01-1200000	VERTICAL COLUMN	1
3	C-01-1300000	SWING ARM	1
4	CT-F-2111200	AIR REGULATOR ASSEMBLY	1
5	CT-Q-5000000	ROTATING UNION	1
6	CT-Q-6000000	CLAMP RING	1
7	CT-Y-A500000	TURNTABLE ASSEMBLY	1
8	CT-DJ-0318112Y	MOTOR (220V, 50Hz, 1P, 1.1Kw)	1
9	CT-DJ-0334122	MOTOR (380V, 50Hz, 3P, 0.75Kw)	1
10	CT-J-3100000	GEARBOX ASSEMBLY	1
11	CT-LS-1400000	BEAD BREAKER CYLINDER ASSEMBLY	1
12	CT-B-4000000	BEAD BREAKING ARM ASSEMBLY	1
13	CT-C-3100000	BEAD BREAKER BLADE	1
14	CT-P-6000000	INFLATING GUN ASSY	1
15	CT-D-9100000	PEDAL ASSEMBLY	1
16	C-54-1400000	HANDLE WHEEL	1
17	C-7C-1000007	ROTATION SPINDLE	1
18	C-14-1000001	SIDE PANEL	1
19	C-54-1000016	RUBBER WASHER	1
20	CT-DJ-0000007	BELT	1
21	C-54-1000012	PRESS COVER	1
22	TC-40-1200022	RUBBER COVER	1
23	C-54-1000011	ADJUSTING WASHER	2
24	C-01-1000002	ROCKER VERTICAL SHAFT	1
25	C-54-1000009	SHAFT WASHER	1
26	C-54-1000015	STOP-UP	1
27	C-54-1000005	RUBBER FOOT	4
28	C-54-1000023	PLUG A	2
29	C-54-1000028	PLUG B	1
30	C-71-1000024	INFLATING GUN HOOK	1
31	C-54-1000013	SEALED COVER	1
32	C-01-100000B	CIRCLIP	1
33	C-14-1000002A	PROTECTIVE COVER	1
34	C-54-1000010	SCREWS M14X42	2
35	C-7C-1000008	RIM SUPPORT	1
36	C-61-1000003	HELPER RUBBE PLUG	1
37	C-71-1000027	HELPER RUBBE PLUG	1
38	GB889.1-M16	1-TYPE PREVAILING TORQUE TYPE HEXAGON LOCK NUT	1
39	GB95-6	FLAT WASHER	6
40	GB70.1-M6×16	INNER HEXA CYLINDRICAL SCREW	2

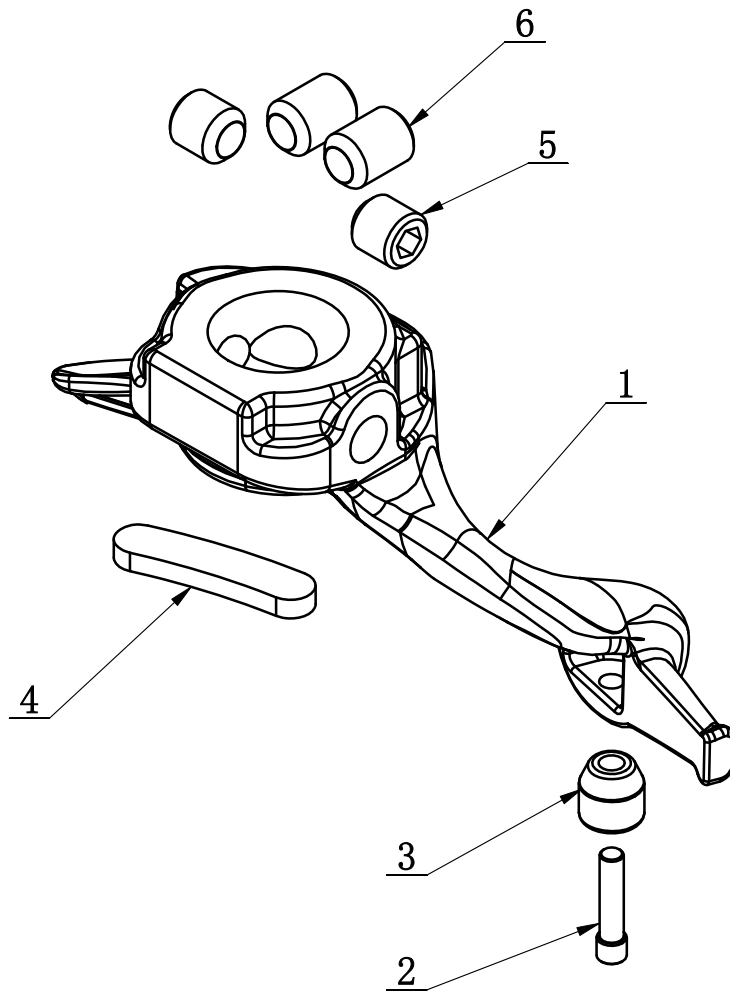
ITEM	PART. No	DESCRIPTION.	QT. Y
41	GB6172. 1-M14	HEXANGULAR THIN NUT	2
42	GB861. 1-14	INNER TOOTH LOCK WAHSER	2
43	GB955-14	WAVE-FORM SPRING WASHER	1
44	GB79-M6×20	INNER HEXA CYLINDRICAL TERMINUS SET SCREW	1
45	GB93-6	STANDARD SPRING WASHER	1
46	GB41-M6	HEXANGULAR NUT	1
47	GB882-18×100	PIN SHAFT	1
48	GB95-12	FLAT WASHER	4
49	GB93-12	STANDARD SPRING WASHER	4
50	GB5783-M12×30-W8. 8	HEXANGULAR BOLT	4
51	GB1096-C12×8×45	COMMON FLAT KEY	1
52	GB95-10	FLAT WASHER	16
53	GB41-M10	HEXANGULAR NUT	14
54	GB5781-M10X200	BOLT M10X200	4
55	GB96. 2-10	LARGE WASHER C GRADE	6
56	GB5781-M10×160	HEXANGULAR BOLT	2
57	GB95-5	FLAT WASHER	2
58	GB5781-M5×12	HEXANGULAR BOLT	1
59	GB41-M8	HEXANGULAR NUT	4
60	GB70. 1-M6×20	INNER HEXA CYLINDRICAL SCREW	10
61	GB70. 1-M12×30	INNER HEXA CYLINDRICAL SCREW	1
62	GB889. 1-M18X1. 5	PRRVAILING TORQUE M18X1. 5	1
63	GB70. 1-M6×10	INNER HEXA CYLINDRICAL SCREW	2
64	GB70. 1-M8×30	INNER HEXA CYLINDRICAL SCREW	1
65	GB93-8	STANDARD SPRING WASHER	4
66	CT-E-EU00315	CABLE	1
67	CT-E-UN00410	CABLE (3P)	1
68	C-01-1000006	COVER CAP	6
69	C-14-1000003	PROTECTIVE COVER	1
70	GB95-8	FLAT WASHER	3
71	GB5781-M8×20	HEXANGULAR BOLT	3
72	GB93-10	STANDARD SPRING WASHER	2
73	GB70. 1-M10×30	INNER HEXA CYLINDRICAL SCREW	2

C-01-1300000

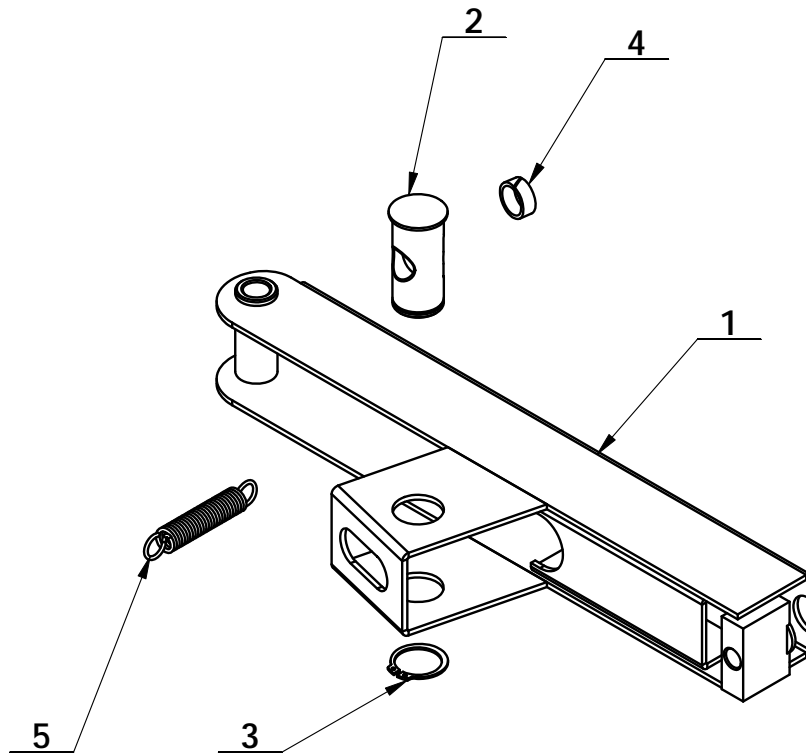


ITEM	PART. No	DESCRIPTION.	QT. Y
1	C-01-1310000	SWING ARM	1
2	C-54-1320000	LOCK HANDLE	1
3	C-01-1300001	VERTICAL SHAFT SPRING	1
4	C-01-1300002	HEXAGON SHAFT	1
5	C-01-1300003	DECORATING COVER	1
6	C-54-1300008	PRESS WASHER	1
7	C-54-1300007	SHOCK ABSORBER WASHER	1
8	C-01-1300004	COIL SPRING	1
9	C-01-1300005	HEXAGON LOCK PLATE	1
10	C-71-1300006	VERTICAL SHAFT COVER	1
11	C-54-0001000	DEMOUNTING HEAD ASSEMBLY	1
12	TC-40-1200022	RUBBER COVER	1
13	C-54-1300013	ADJUSTING WASHER	1
14	GB70. 1-M10×30	INNER HEXA CYLINDRICAL SCREW	1
15	GB894. 1-25	SHAFT ELATIC BIG RETAINING RING A-TYPE	1
16	GB93-10	STANDARD SPRING WASHER	1
17	GB5783-M10×25	HEXANGULAR BOLT	1
18	GB95-10	FLAT WASHER	2
19	GB41-M10	HEXANGULAR NUT	1
20	GB889. 1-M10	1-TYPE PREVAILING TORQUE TYPE HEXAGON LOCK NUT	2
21	GB70. 1-M10×70	INNER HEXA CYLINDRICAL SCREW	1

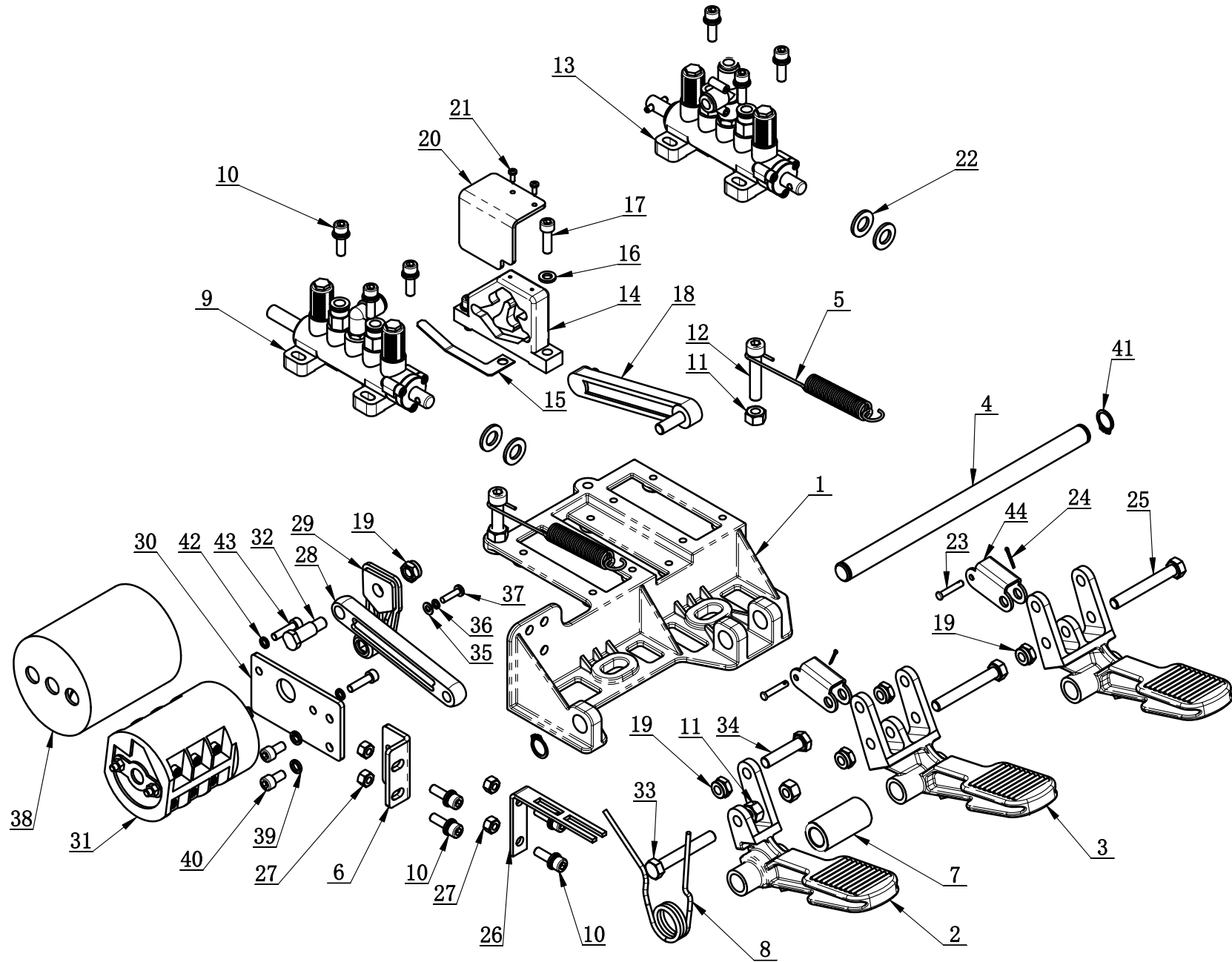
C-54-0001000



ITEM	PART. No	DESCRIPTION.	QT. Y
1	C-54-1300004	DEMOUNTING HEAD	1
2	C-54-1300006	ROLLER BOLT	1
3	C-54-1300009	ROLLER	1
4	C-54-8000007	TOOL HEAF TAIL WASHER	1
5	GB80-M12×12	INNER HEXA RECESSED TERMINUS SET SCREW	2
6	GB80-M12×16	INNER HEXA RECESSED TERMINUS SET SCREW	2

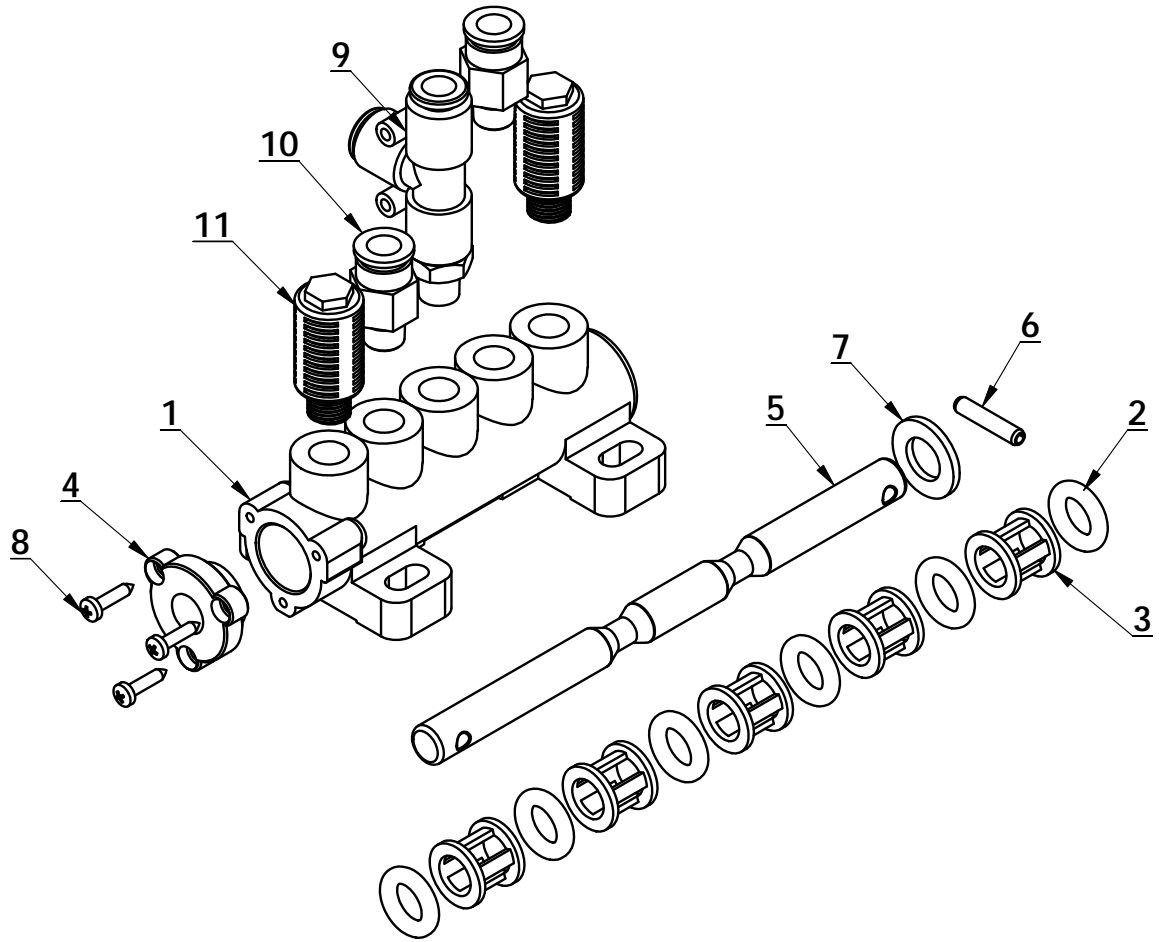


ITEM	PART. No	DESCRIPTION.	QT. Y
1	CT-B-4100000	BEAD BREAKING ARM ASSEMBLY	1
2	CT-B-4000001	BEAD BREAKING ARM SLIDE BUSHING	1
3	GB894. 1-34	SHAFT ELATIC BIG RETAINING RING A-TYPE	1
4	CT-B-2000001	SLIDE SPACER	1
5	CT-B-4000003	SPRING	1

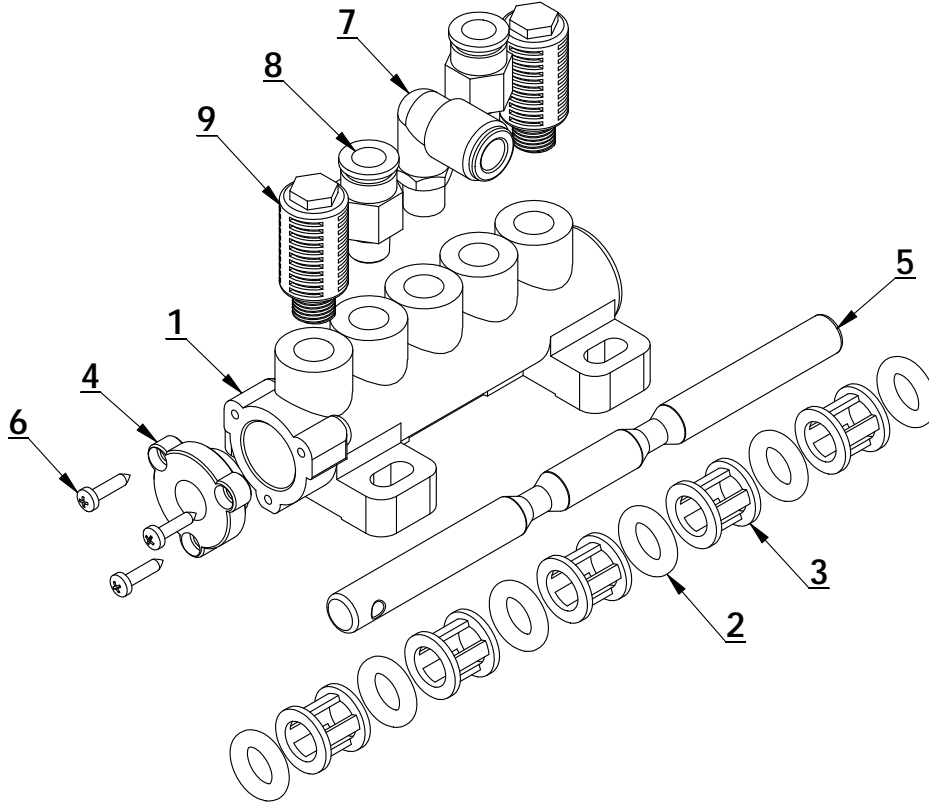


CT-D-9100000

ITEM	PART. No	DESCRIPTION.	QT. Y
1	CT-D-5100001	PEDAL BRACKET	1
2	CT-D-9100001	PEDAL	1
3	CT-D-9100002	PEDAL	2
4	CT-D-5100004	BOTTOM SHAFT	1
5	CT-D-5100007	SPRING	2
6	CT-D-5100008	SWITCH SUPPORT	1
7	CT-D-2100001	SPACER	1
8	CT-D-2100002	TORSION SPRING	1
9	CT-D-0012000	VALVE	1
10	GB9074-M6×20	COMBINATION SCREW	10
11	GB41-M8	HEXANGULAR NUT	4
12	GB70. 1-M8×40	INNER HEXA CYLINDRICAL SCREW	2
13	CT-D-0010000	VALVE	1
14	CT-D-1100009	CAM	1
15	CT-D-2100004	SPRING PLATE	1
16	GB95-6	FLAT WASHER	2
17	GB70. 1-M6×20	INNER HEXA CYLINDRICAL SCREW	2
18	CT-D-1100008	CAM CONNECTING ROD	1
19	GB889. 1-M8	1-TYPE PREVAILING TORQUE TYPE HEXAGON LOCK NUT	5
20	CT-D-5100010	CAM BAFFLE PLATE	1
21	GB845-ST2. 9×9. 5 H C	CROSS PANHEAD TAPPING SCREW	2
22	GB95-10	FLAT WASHER	4
23	GB882-4×22	PIN SHAFT	2
24	GB91-1. 6×10	SLOTTED PIN	2
25	GB5782-M8×60	HEXANGULAR BOLT	2
26	CT-D-2100010	TORSION SPRING BRACKET	1
27	GB41-M6	HEXANGULAR NUT	4
28	CT-D-2100011	CONNECTION ROD	1
29	CT-D-1100010	REVERSE LEVER	1
30	CT-D-5100009	SWITCH SUPPORT	1
31	CT-D-1100018	SWITCH	1
32	CT-D-2100012	ROTATION SHAFT	1
33	GB5782-M8×55	HEXANGULAR BOLT	1
34	GB5781-M8×35	HEXANGULAR BOLT	1
35	GB95-4	FLAT WASHER	1
36	GB93-4	STANDARD SPRING WASHER	1
37	GB818-M4×16-H	CROSS PANHEAD SCREW	1
38	CT-D-1100014	SWITCH COVER	1
39	GB93-6	STANDARD SPRING WASHER	2
40	GB70. 1-M6×12	INNER HEXA CYLINDRICAL SCREW	2
41	GB894. 1-14	SHAFT ELATIC BIG RETAINING RING A-TYPE	2
42	GB93-5	STANDARD SPRING WASHER	2
43	GB70. 1-M5×20	INNER HEXA CYLINDRICAL SCREW	2
44	CT-D-5100005	CONNECTION PART	2

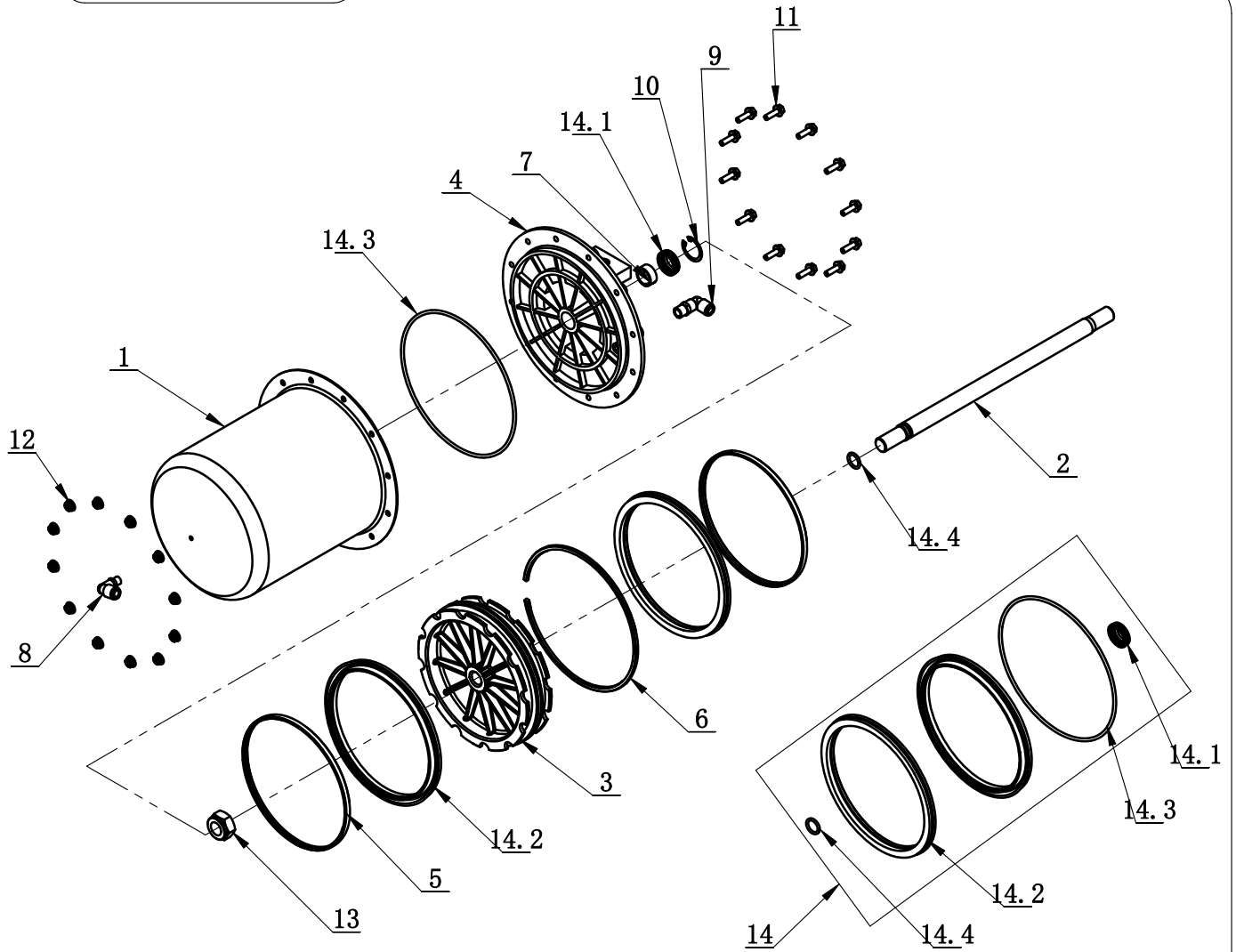


ITEM	PART. No	DESCRIPTION.	QT. Y
1	CT-D-1110001	VALVE BODY	1
2	CT-D-1110003	O-RING	6
3	CT-D-1110004	SPACER	5
4	CT-D-1110005	VALVE CAP	1
5	CT-D-2600001	VALVE ROD	1
6	GB879. 1-4×20	PIN	1
7	GB95-10	FLAT WASHER	1
8	GB845-ST2. 9×13 H C	SCREW	3
9	FPD 8-01	MALE RUN TEE	1
10	FPC 8-01	MALE STRAIGHT	2
11	FSK 01	PLASTIC PARTICLE SILENCER	2

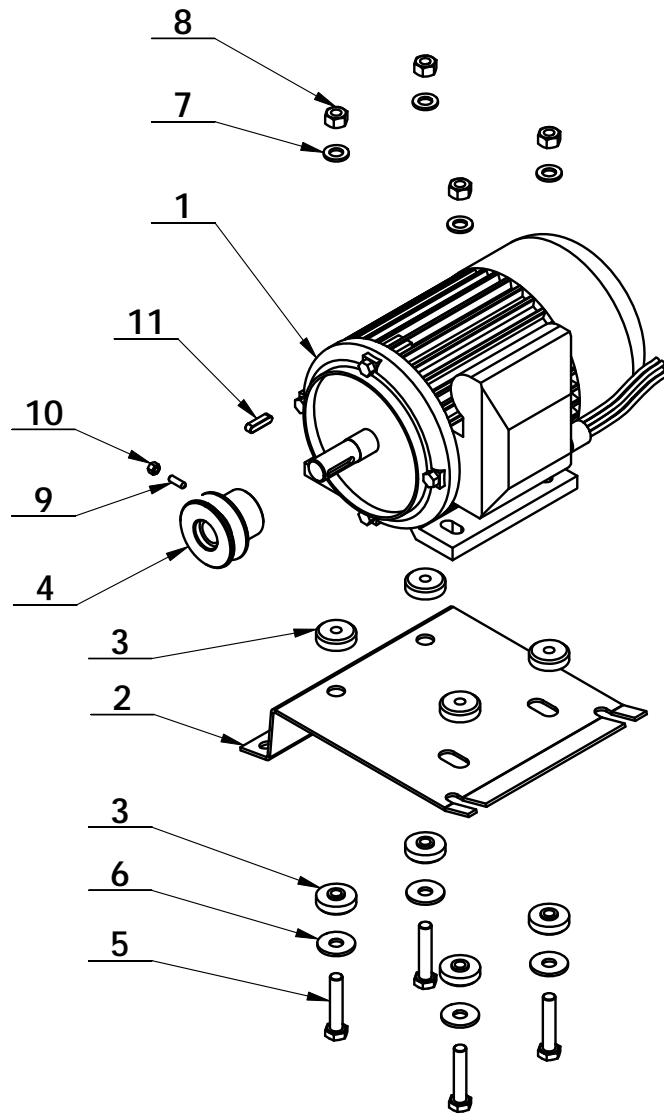


ITEM	PART. No	DESCRIPTION.	QT. Y
1	CT-D-1110001	VALVE BODY	1
2	CT-D-1110003	O-RING	6
3	CT-D-1110004	SPACER	5
4	CT-D-1110005	VALVE CAP	1
5	CT-D-2600003	VALVE ROD	1
6	GB845-ST2.9×13 H C	CROSS PANHEAD TAPPING SCREW	3
7	FPL 8-01	INSERT ELBOW Φ8, R1/8	1
8	FPC 8-01	MALE STRAIGHT	2
9	FSK 01	PLASTIC PARTICLE SILENCER	2

CT-LS-1400000

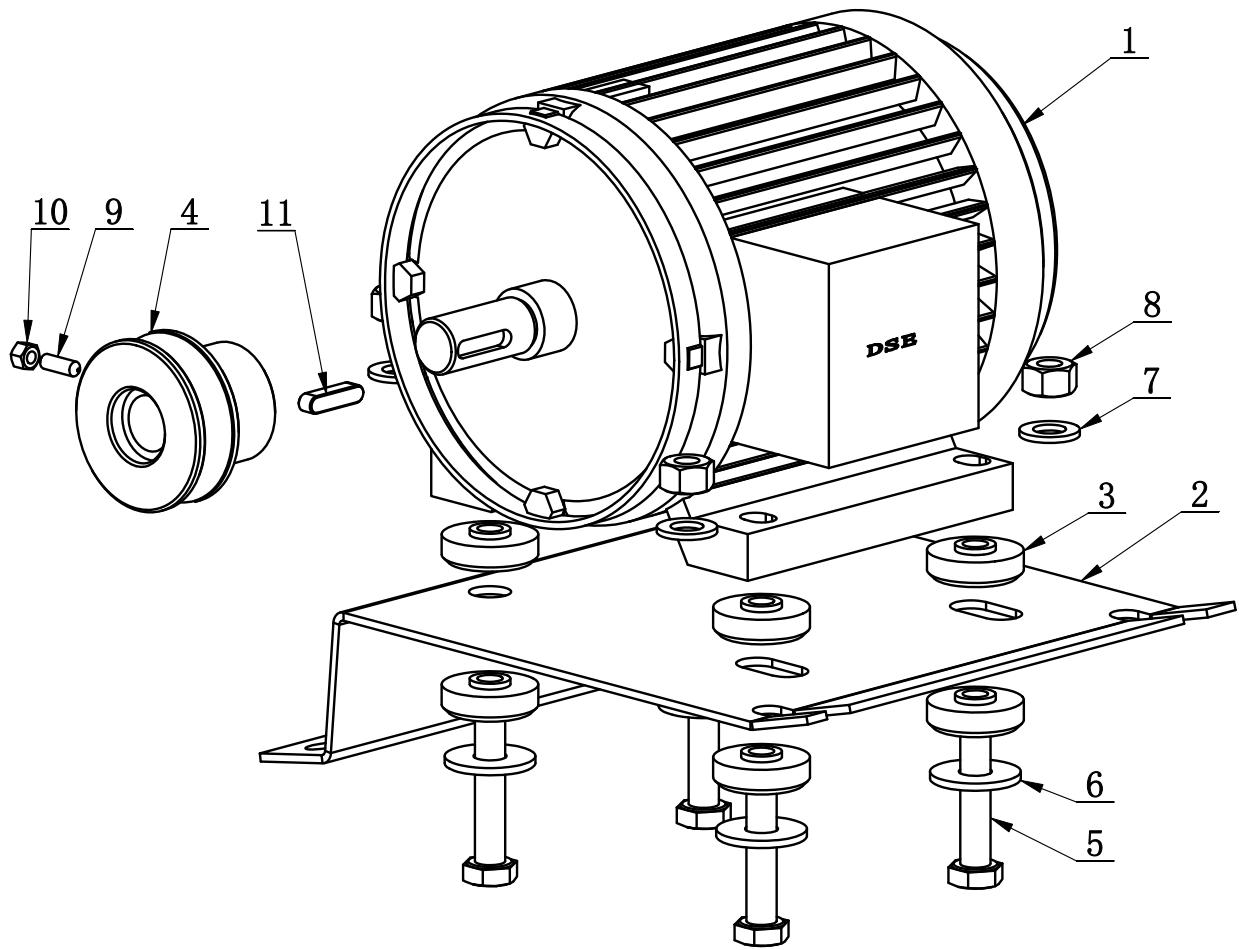


ITEM	PART. No	DESCRIPTION.	QT. Y
1	CT-LS-1100002	CYLINDER BODY	1
2	CT-LS-1100001	CYLINDER PISTON ROD	1
3	CT-LS-1100003	PISTON	1
4	CT-LS-1100004	CYLINDER COVER	1
5	CT-LS-1100006	CLAMP RING	2
6	CT-LS-1100007	PISTION SUPPORT RING	1
7	CT-LS-1100008	GUIDER SPACER	1
8	FPL 8-01	INSERT ELBOW $\Phi 8$, R1/8	1
9	FPL 8-02	INSERT ELBOW $\Phi 8$, R1/4	1
10	GB893. 2-30	ELASTIC RETAINING RING B-TYPE	1
11	GB5789-AM6 \times 20	HEXA FLANGE BOLT	12
12	GB6177. 1-M6	HEXA FLANGE NUT	12
13	GB889. 1-M18 \times 1.5	PRRVAILING TORQUE M18 \times 1.5	1
14	CT-LS-1110000	CYCLINDER SEALING PARTS ASSEMBLY	1
14.1	CT-Y-0160007	SEAL-ROD, CYLNDR	1
14.2	CT-LS-1100009	Y-RING	2
14.3	GB3452. 1-185 \times 3.55-G	O-RING G TYPE	1
14.4	GB3452. 1-15.5 \times 2.65-G	HYDRAULIC-PNEUMATIC RUBBER O-RING G TYPE	1

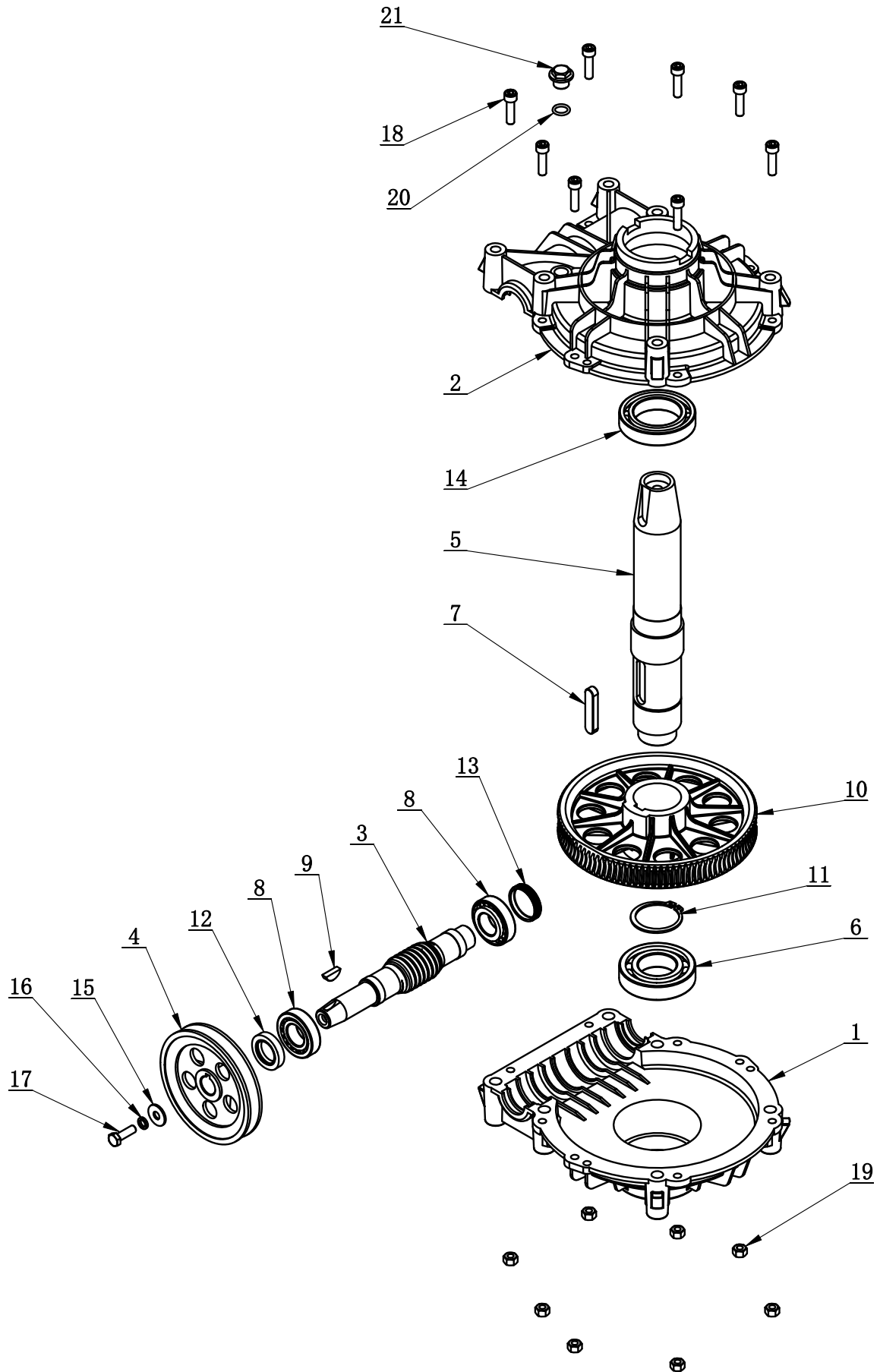


ITEM	PART. No	DESCRIPTION.	QT. Y
1	CT-DJ-0018112Y	MOTOR (220V, 50Hz, 1P, 1.1Kw)	1
2	CT-DJ-0000001	MOTOR SUPPORT	1
3	CT-DJ-0000002	RUBBER WASHER	8
4	CT-DJ-0000004	BELT	1
5	GB5781-M10×50	HEXANGULAR BOLT	4
6	GB96. 2-10	LARGE WASHER C GRADE	4
7	GB95-10	FLAT WASHER	4
8	GB41-M10	HEXANGULAR NUT	4
9	GB78-M5×16	INNER HEXA CONIC TERMINUS SET SCREW	1
10	GB41-M5	NUT	1
11	GB1096-6×6×25	COMMON FLAT KEY	1

CT-DJ-0334122

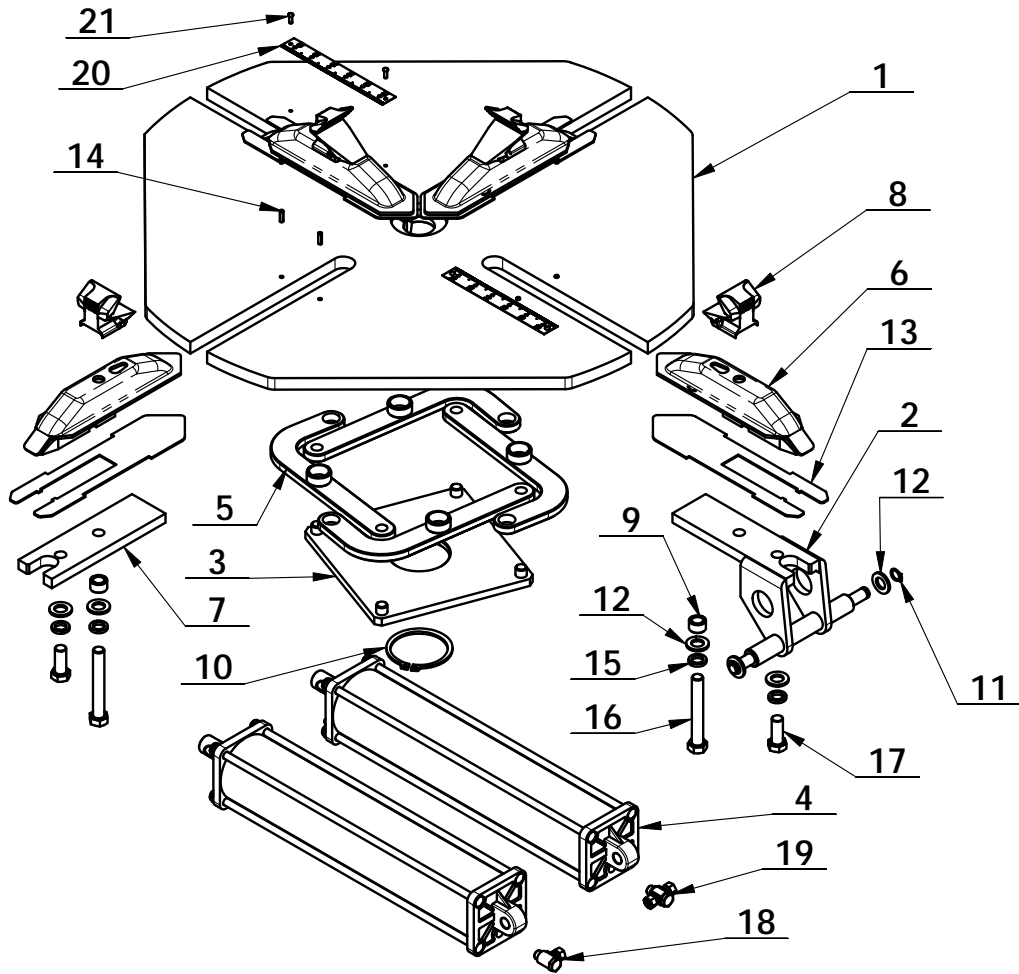


ITEM	PART. No	DESCRIPTION.	QT. Y
1	CT-DJ-0034122	MOTOR(0.75KW, 380V, 50Hz, 3P)	1
2	CT-DJ-0000001	MOTOR SUPPORT	1
3	CT-DJ-0000002	RUBBER WASHER	8
4	CT-DJ-0000004	BELT	1
5	GB5781-M10×50	HEXANGULAR BOLT	4
6	GB96. 2-10	LARGE WASHER C GRADE	4
7	GB95-10	FLAT WASHER	4
8	GB41-M10	HEXANGULAR NUT	4
9	GB78-M5×16	INNER HEXA CONIC TERMINUS SET SCREW	1
10	GB41-M5	NUT	1
11	GB1096-6×6×25	COMMON FLAT KEY	1



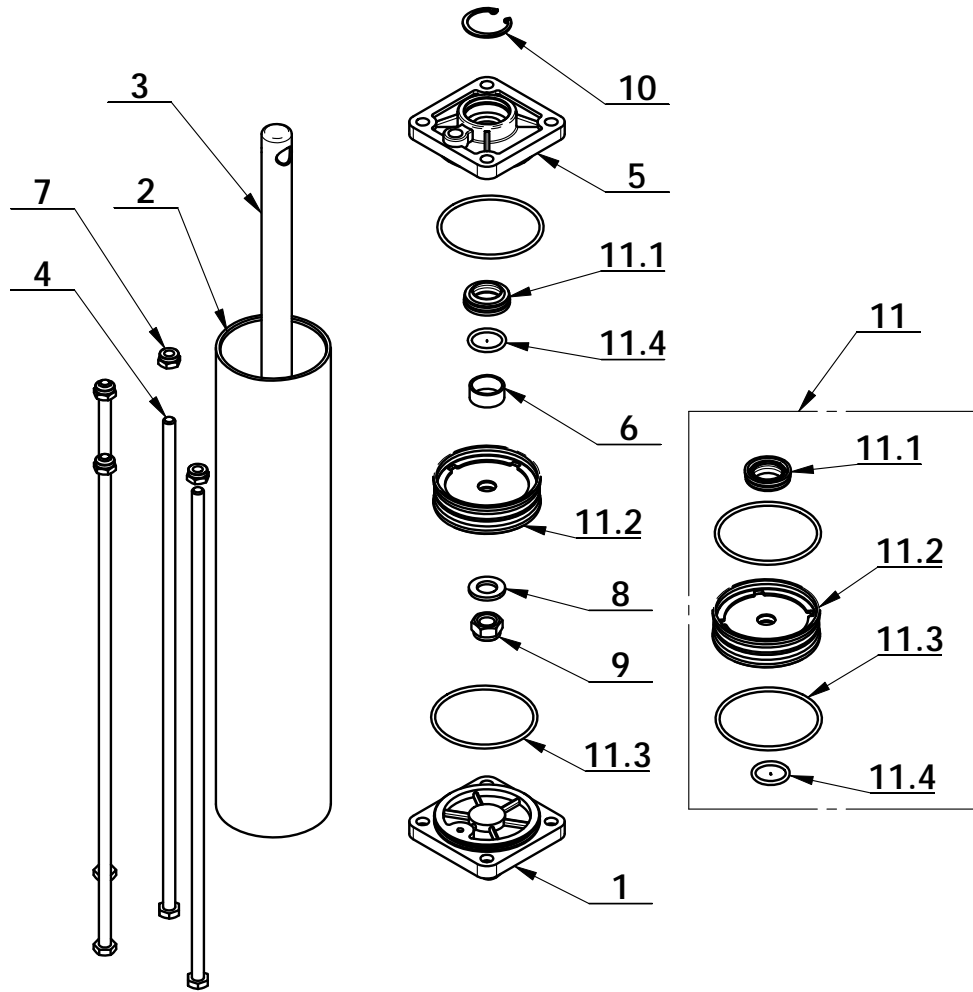
ITEM	PART. No	DESCRIPTION.	QT. Y
1	CT-J-0000005	GEARBOX	1
2	CT-J-0000006	GEARBOX TOP	1
3	CT-J-0000004	WORM ROD	1
4	CT-J-0000008	BELT PULLEY	1
5	CT-J-0000001	WORM SHAFT	1
6	GB276-6208	BEARING	1
7	GB1096-12×8×56	COMMON FLAT KEY	1
8	GB297-30205	BEARING	2
9	GB1099. 1-6×9×22	COMMON SEMI-CIRCULAR KEY	1
10	CT-J-0000003	WORM	1
11	GB894. 1-50	RETAINING RING A-TYPE	1
12	FB25-40 GB13871. 92	SEALED RING	1
13	CT-J-0100000	CAP	1
14	GB276-6010	DEEP GROOVE BALL BEARINGS	1
15	GB96. 2-8	LARGE WASHER C GRADE	1
16	GB93-8	STANDARD SPRING WASHER	1
17	GB5783-M8×25	HEXANGULAR BOLT	1
18	GB70. 1-M8×30	INNER HEXA CYLINDRICAL SCREW	8
19	GB41-M8	HEXANGULAR NUT	8
20	GB3452. 1-13. 2×2. 65-G	HYDRAULIC-PNEUMATIC RUBBER O-RING G TYPE	1
21	TC-10-1400013	BOLT	1

CT-Y-A500000



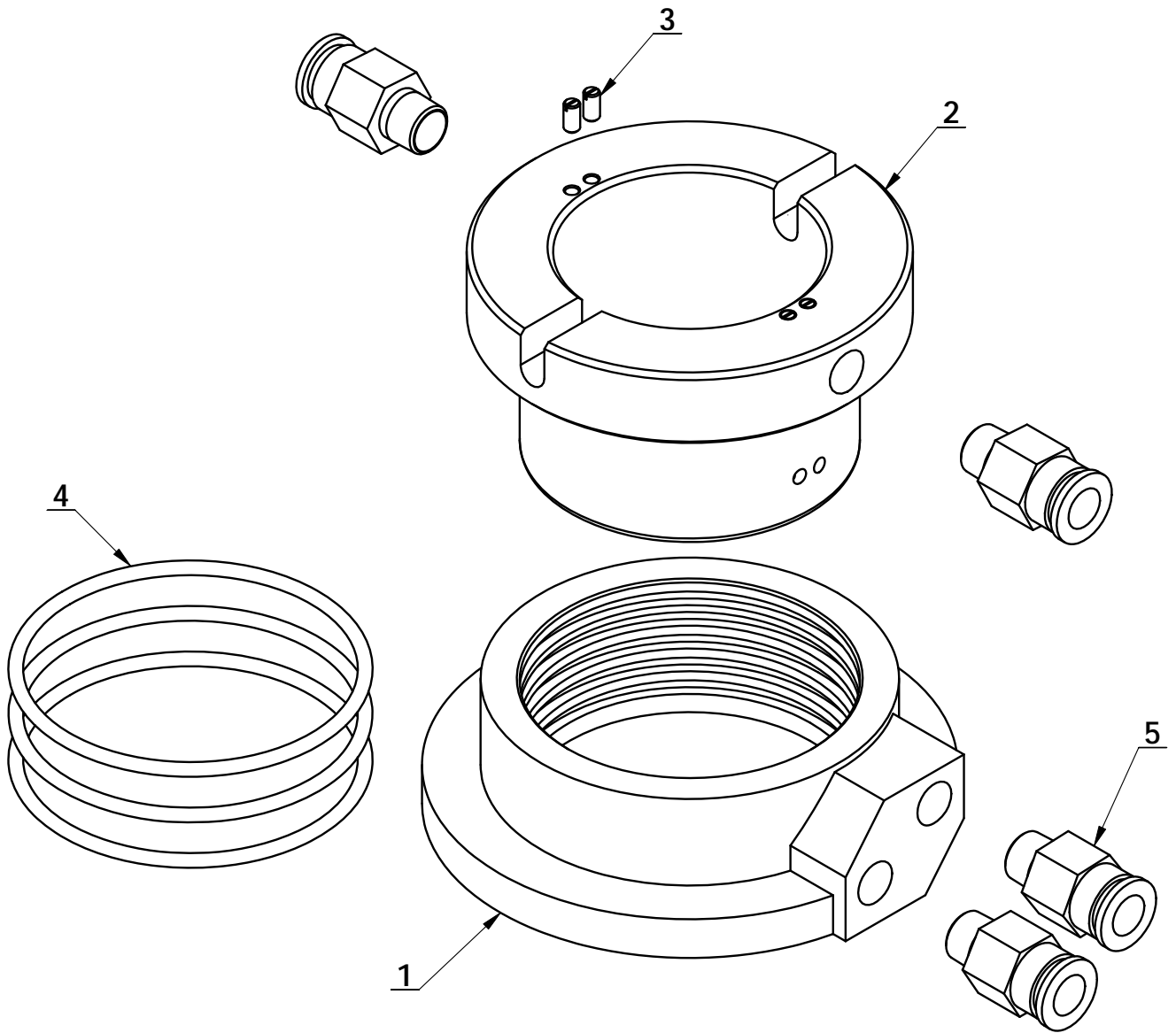
ITEM	PART. No	DESCRIPTION.	QT. Y
1	CT-Y-1610000	TURNTABLE	1
2	CT-Y-1140000	BRACKET-CYLINDER	2
3	CT-Y-0150000	SQUARE TURNTABLE	1
4	CT-Y-A110000	CYLINDER ASSEMBLY	2
5	CT-Y-A120000	CONNECTION PLATE	4
6	CT-Y-A130000	SLIDE COVER	4
7	CT-Y-2100001	BOTTOM CHUTE PRESS PLATE	2
8	CT-Y-0100002	CLAMP	4
9	CT-Y-0100003	SPACER	4
10	GB894. 1-65	SHAFT ELATIC BIG RETAINING RING A-TYPE	1
11	GB894. 1-12	SHAFT ELATIC BIG RETAINING RING A-TYPE	4
12	GB95-12	FLAT WASHER	12
13	CT-Y-A100001	WEAR-RESISTANCE SPACER	4
14	GB879. 1-4×14	ELASTIC CYLINDRICAL PIN HEAVY	8
15	GB93-12	STANDARD SPRING WASHER	8
16	GB5782-M12×85	HEXANGULAR BOLT	4
17	GB5783-M12×30-W8. 8	HEXANGULAR BOLT	4
18	CT-Y-0100006	HINGE ELBOW Φ8 G1/8"	2
19	CT-Y-0100008	HINGE ELBOW Φ8	2
20	CT-Y-1600001	SCALE	2
21	GB827-3×10	LABEL RIVET	4

CT-Y-A110000



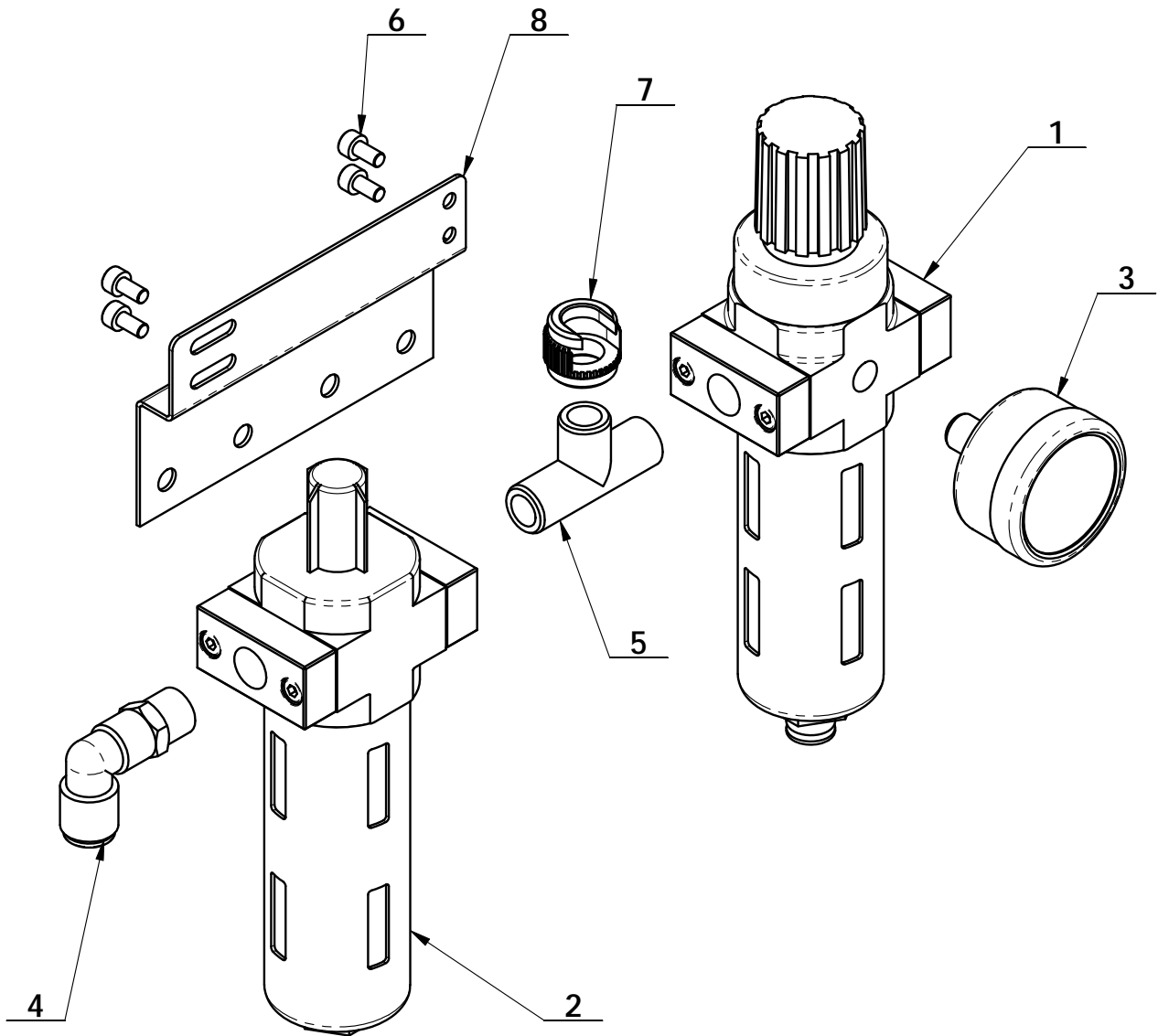
ITEM	PART. No	DESCRIPTION.	QT. Y
1	CT-Y-0160003	REAR COVER	1
2	CT-Y-1120002	SLEEVE-CYLNDR 70	1
3	CT-Y-A110001	SHAFT-CYLNDR	1
4	CT-Y-1120003	BOLT	4
5	CT-Y-0160002	FRONT COVER	1
6	JH1 2010	BEARING-SLIDE	1
7	GB889. 1-M8	1-TYPE PREVAILING TORQUE TYPE HEXAGON LOCK NUT	4
8	GB95-12	FLAT WASHER	1
9	GB889. 1-M12	1- TYPE PREVAILING TORQUE TYPE HEXAGON LOCK NUT	1
10	GB893. 1-30	ELASTIC RETAINING RING A-TYPE	1
11	CT-Y-1121000	CYLINDER SEALING PARTS ASSEMBLY	1
11. 1	CT-Y-0160007	SEAL-ROD, CYLNDR	1
11. 2	CT-Y-0161000	PISTON-W/WSHR, ASSY	1
11. 3	GB3452. 1-65×2. 65	HYDRAULIC-PNEUMATIC RUBBER O-RING G TYPE	2
11. 4	GB3452. 1-20×2. 65	HYDRAULIC-PNEUMATIC RUBBER O-RING G TYPE	1

CT-Q-5000000



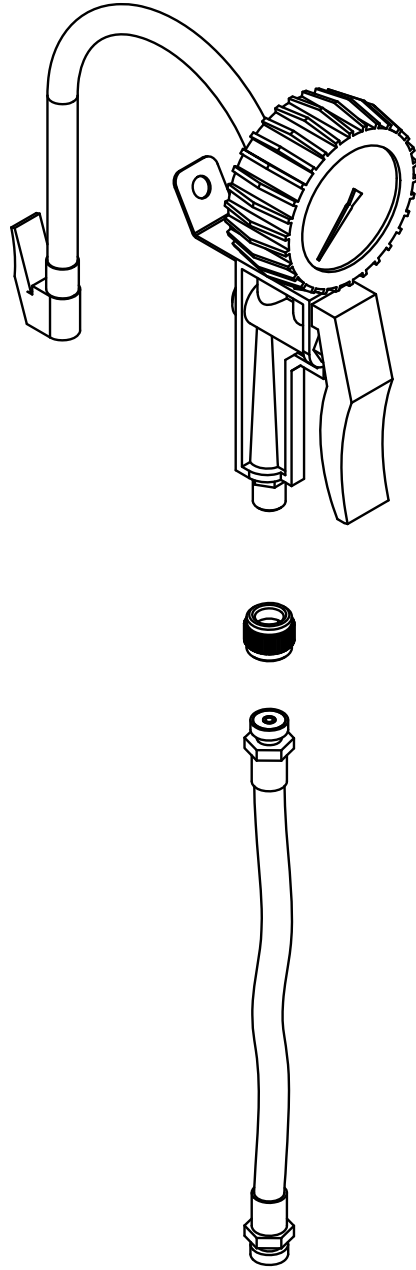
ITEM	PART. No	DESCRIPTION.	QT. Y
1	CT-Q-1000001	AIR GUIDE EXTERNAL BUSHING	1
2	CT-Q-1000002	AIR GUIDE ROTATION BUSHING	1
3	GB73-M3×6	SLOTTED FLATTEN HEAD SET SCREW	4
4	GB3452. 1-60×2. 65-G	HYDRAULIC-PNEUMATIC RUBBER O-RING G TYPE	3
5	FPC 8-01	MALE STRAIGHT	4

CT-F-2111200

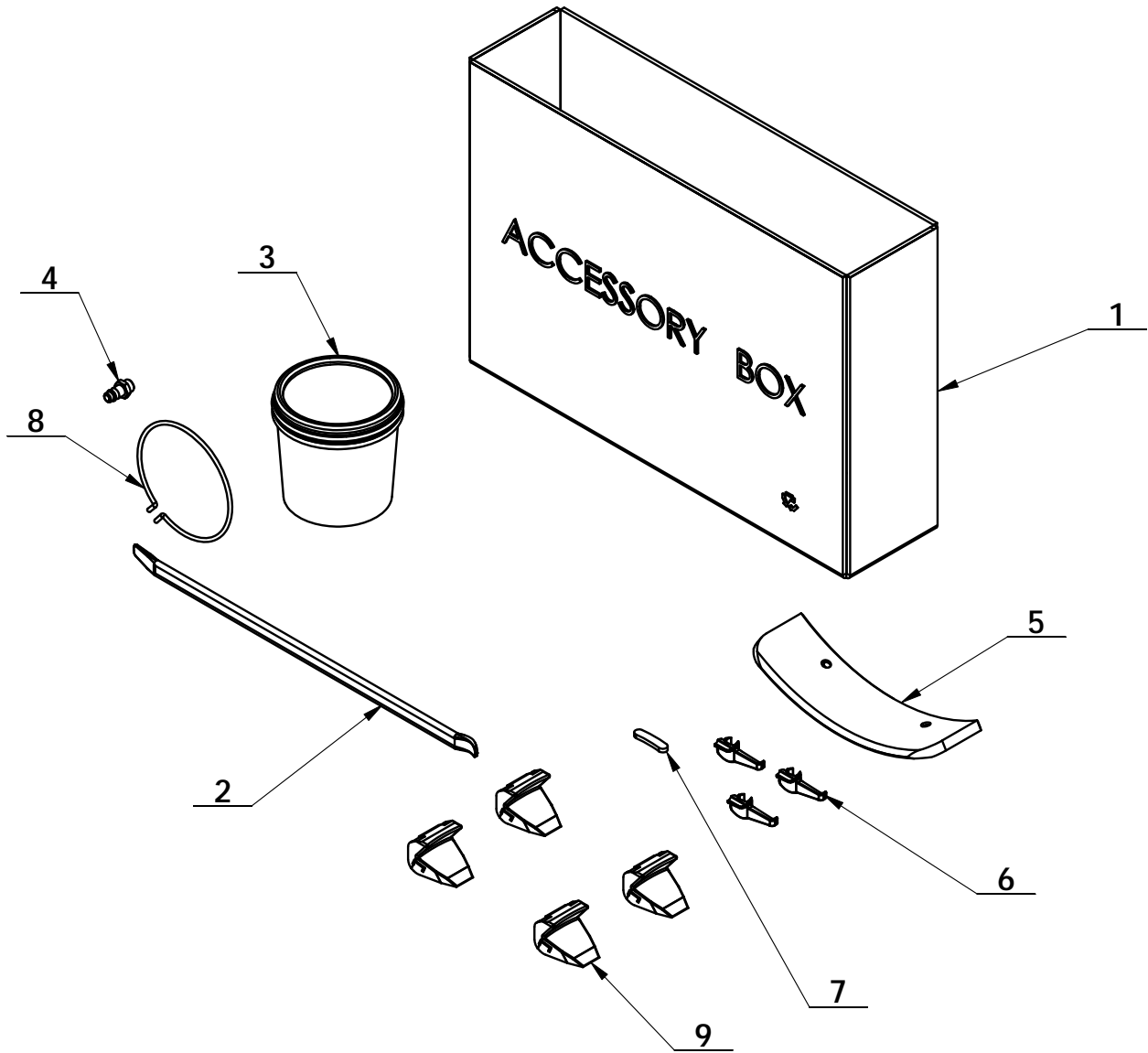


ITEM	PART. No	DESCRIPTION.	QT. Y
1	CT-F-2000010	PRESSURE ADJUST VALVE AND WATER CUP	1
2	CT-F-2000020	OIL CUP	1
3	CT-F-2000003	PRESSURE GAUGE	1
4	FPL 8-02	INSERT ELBOW $\Phi 8$, R1/4	1
5	PEH 02-02	FEMALE UNION TEE	1
6	GB70. 1-M4 \times 8	INNER HEXA CYLINDRICAL SCREW	4
7	C-01-1500004	OPEN NUT	1
8	CT-F-2000040	AIR REGULATOR BRACKET	1

CT-P-6000000



ITEM	PART. No	DESCRIPTION.	QT. Y
1	CT-P-6000001	INFLATING GUN	1
2	C-01-1500004	OPEN NUT	1
3	CT-P-1000002	INFLATION HOSE	1



ITEM	PART. No	DESCRIPTION.	QT. Y
1	C-54-8000002	ACCESSORY BOX	1
2	C-54-8000003	20INCH CROWBAR	1
3	C-54-8100000	GREASE CONTAINER	1
4	C-62-0000001	SOURCE CONNECT	1
5	C-90-1000013	BEAD BREAKER BLADE COVER	1
6	C-54-1300014	SHEATH	3
7	C-54-8000007	TOOL HEAF TAIL WASHER	1
8	C-54-8000004	BRACKET	1
9	C-54-8000005	CLAMP PROTECTION COVER	4